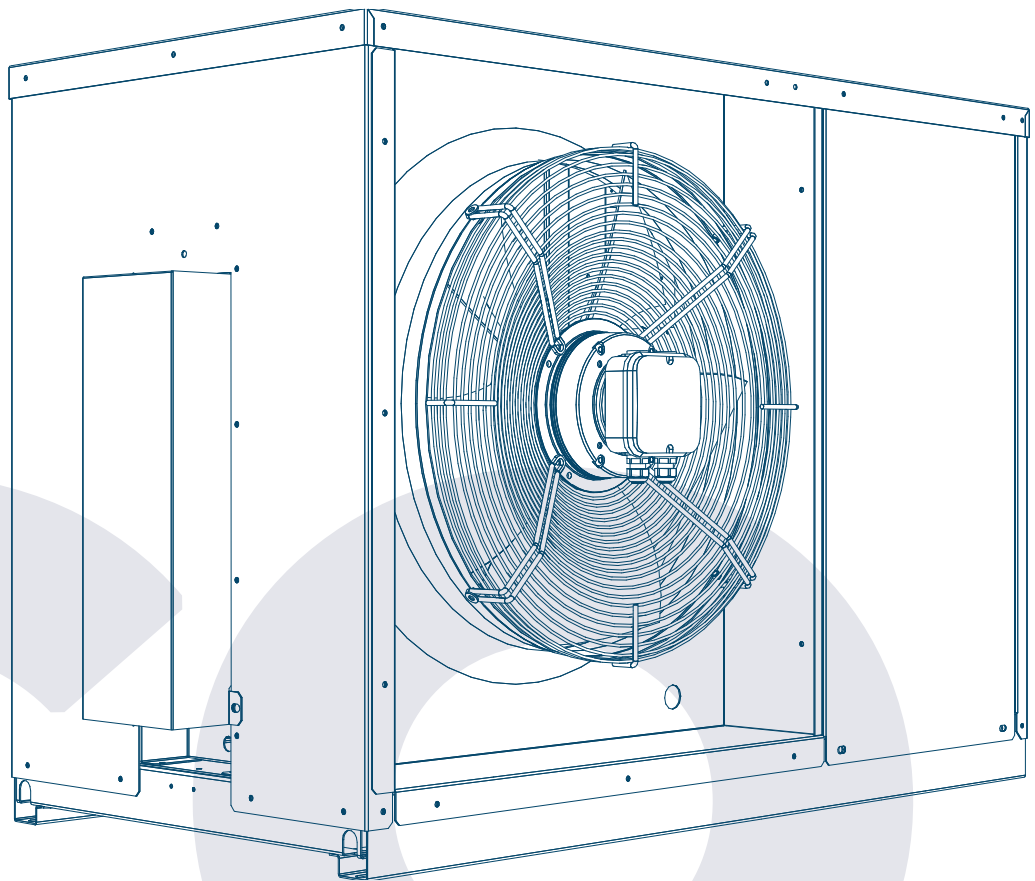




Sustainable **Cold Solutions**

CO₂ condensing unit



According to SCM Natural Choice, we have developed a **range of CO₂ transcritical condensing units** with a very low carbon footprint and lower energy consumption than the traditional HFC solutions.

Design is compact and units are easy to install and maintain. Units are equipped with gas cooler and electrical panel, tested and factory programmed for an easy start-up.

STANDARD CONFIGURATION

- ◇ **DC Brushless Rotary compressor**
- ◇ **Inverter modulation 25% - 100%**
- ◇ **EC fans**
- ◇ **Small footprint**
- ◇ **K65 connections**
- ◇ **Design pressure:**
 - 120 bar (high pressure side)
 - 80 bar (liquid line)
 - 80 bar (suction)

OPTION ON REQUEST

- ◇ **Water cooled gas cooler**
- ◇ **Adiabatic System**
(suggested for ambient temperatures > +35°)



Unità di refrigerazione a CO₂ per applicativi di Media e Bassa Temperatura

Sistemi transcritici ad espansione diretta

Modello UMT T MTDX. *Capacità frigorifera da 0,6 a 8,5 kW.*

Modello UMT T BTDX. *Capacità frigorifera da 0,65 a 6,6 kW.*

CO₂-Kälteanlage für die Anwendung im Mittleren und Tief- Verdampfungstemperaturbereich

Transcritisches System DX

Modell UMT T MTDX. *Kälteleistung von 0,6 bis 8,5 kW.*

Modell UMT T BTDX. *Kälteleistung von 0,65 bis 6,6 kW.*

CO₂ Systems for medium and low temperature applications

Transcritical condensing units DX

Model UMT T MTDX. *Cooling Capacity from 0,6 up to 8,5 kW.*

Model UMT T BTDX. *Cooling Capacity from 0,65 up to 6,6 kW.*

Groupes de condensation au CO₂ pour applications pour moyenne et basse température

Groupes de condensation transcritiques à détente directe

Modèle UMT T MTDX. *Puissance froid de 0,6 à 8,5 kW.*

Modèle UMT T BTDX. *Puissance froid de 0,65 à 6,6 kW.*

MEDIUM TEMPERATURE

Model MTDX	Performance at Tamb.+32°	Tev (°C)					MRA A	Pmax W
		-15°C	-10°C	-5°C	0°C	5°C		
UMT T 030 MTDX	Qo (W)	2181	2548	2939	3362	3826	11,6	2460
	Pel (W)	1419	1444	1456	1452	1430		
	COP	1,54	1,76	2,02	2,32	2,68		
	MEPS	1,76						
	V / Ph / Hz	230 / 1+N+PE / 50						
UMT T 045 MTDX	Qo (W)	3293	3847	4437	5077	5778	16,1	3500
	Pel (W)	2142	2180	2198	2192	2159		
	COP	1,54	1,76	2,02	2,32	2,68		
	MEPS	1,76						
	V / Ph / Hz	230 / 1+N+PE / 50						
UMT T 067 MTDX	Qo (W)	4722	5502	6359	7280	8251	23,1	5110
	Pel (W)	3090	3174	3234	3272	3285		
	COP	1,53	1,73	1,97	2,23	2,51		
	MEPS	3,44						
	V / Ph / Hz	230 / 1+N+PE / 50						
UMT T 100 MTDX	Qo (W)	7047	8211	9491	10866	-	17,3	7900
	Pel (W)	4612	4737	4827	4827	-		
	COP	1,53	1,73	1,97	2,25	-		
	MEPS	3,45						
	V / Ph / Hz	400 / 3+N+PE / 50						

MTDX - Inverter modulation from 25 to 100% (1500 --> 6000 rpm)

Dimensions: mm 1150x620x805

PED: /

Weight: kg 150

Refrigeration connection: Suction inch 3/8" (exc. UMTT 100: 1/2") | Liquid inch 3/8"

Sound Pressure: dB(A) 44 (based on freefield area with semi-spherical sound emission in 10 m distance)

LOW TEMPERATURE

Model BTDX	Performance at Tamb.+32°	Tev (°C)			MRA A	Pmax W
		-30°C	-25°C	-20°C		
UMT T 030 BTDX	Qo (W)	3343	3662	3904	16,1	3530
	Pel (W)	2147	2149	2153		
	COP	1,56	1,70	1,81		
	MEPS	2,3				
	V / Ph / Hz	230 / 1+N+PE / 50				
UMT T 045 BTDX	Qo (W)	5049	5331	5700	22,9	5100
	Pel (W)	3242	3250	3242		
	COP	1,56	1,64	1,76		
	MEPS	2,3				
	V / Ph / Hz	230 / 1+N+PE / 50				
UMT T 067 BTDX	Qo (W)	6599	7268	7797	20,4	7410
	Pel (W)	4902	4994	5097		
	COP	1,35	1,46	1,53		
	MEPS	2,24				
	V / Ph / Hz	400 / 3+N+PE / 50				

BTDX - Inverter modulation from 25 to 100% (1500 --> 6000 rpm)

Dimensions: mm 1525x620x805

PED: /

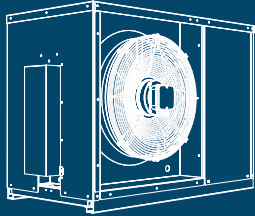
Weight: kg 176

Refrigeration connection: Suction inch 3/8" | Liquid inch 3/8"

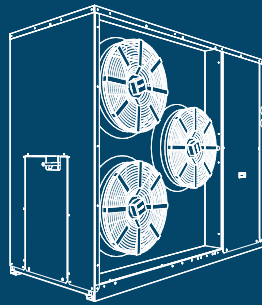
Sound Pressure: dB(A) 44 (based on freefield area with semi-spherical sound emission in 10 m distance)

CO₂ RANGE

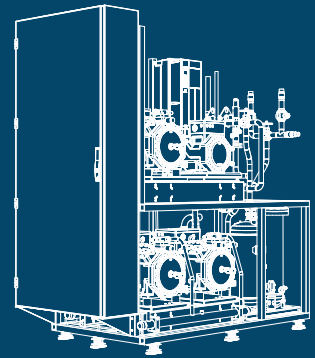
A solution for all applications



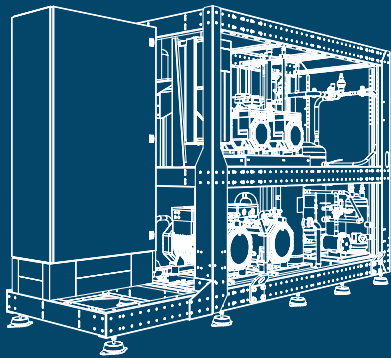
CUBO₂
SMART



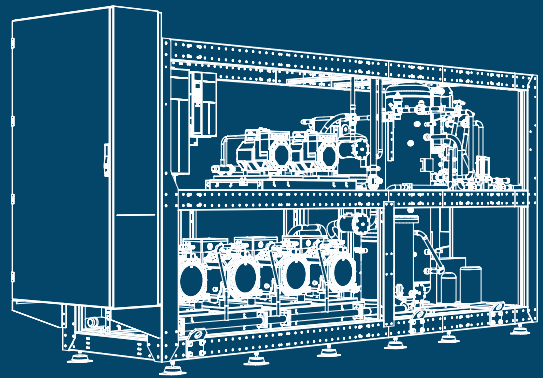
CUBO₂
PLUS



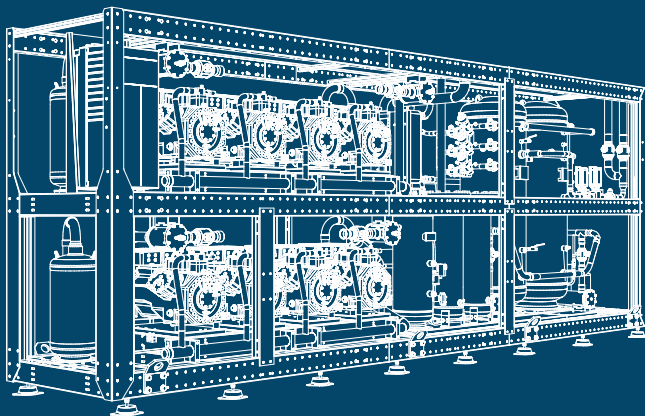
SMART
BOOSTER



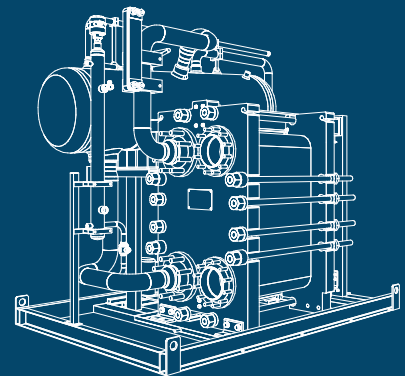
LEAN
BOOSTER



BOOSTER SMKT



BOOSTER INDUSTRIAL



CHILLER

SCM
FRIGO